



# iQ Volta Series

Low Flow Proportional Valves

iQ Proportional Valves



**Series:**

iQ Volta

**Valve Type:**

Proportional 2-Way Normally Close

**Media:**

Air & Gases

**Orifice Sizes:**

0.004" (0.102mm)

0.010" (0.254mm)

\*Please contact iQ Valves for other sizes

**Mounting (Ports):**

Manifold Mount

10-32 Ports

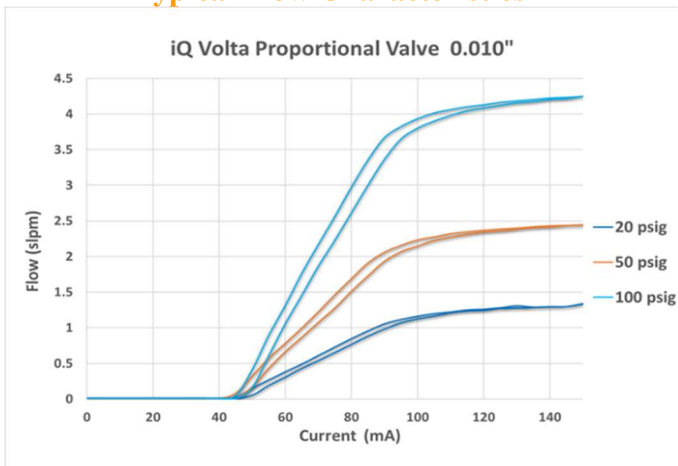
1/16" NPT

**Voltage (Power):**

12 VDC (2 W)

24 VDC (2 W)

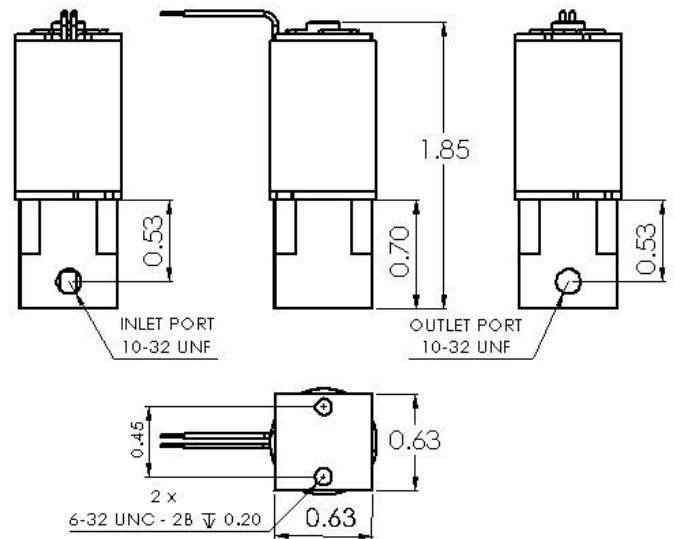
**Typical Flow Characteristics**



The iQ Volta proportional valve is intermediate series that bridges between iQ Nano and iQ Coral series. It offers an alternative option when compared to its competitors in the valve market. The iQ Volta series is well suited for fine fluid control that requires low hysteresis and quick response. These valves are the ideal solution for medical, industrial, and analytical instrumentation with high resolution requirements for maximum flow rates from a few scfm up to 15 slpm. A signal amplifier valve driver is also available to control the valve using a 0-5VDC, 0-10VDC or 4-20mA control signal.

**Features:**

- Quick, accurate response and good controllability.
- Economical low flow proportional valve.
- Compact and robust design with a high mix for customizability
- Low flow controls down to a few scfm
- Ideal for pressure or vacuum application
- Great for air and gasses applications



DIMENSIONAL DRAWING FOR 10-32 PORTS