

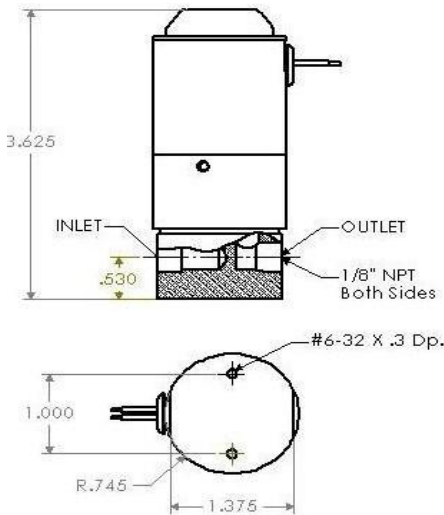
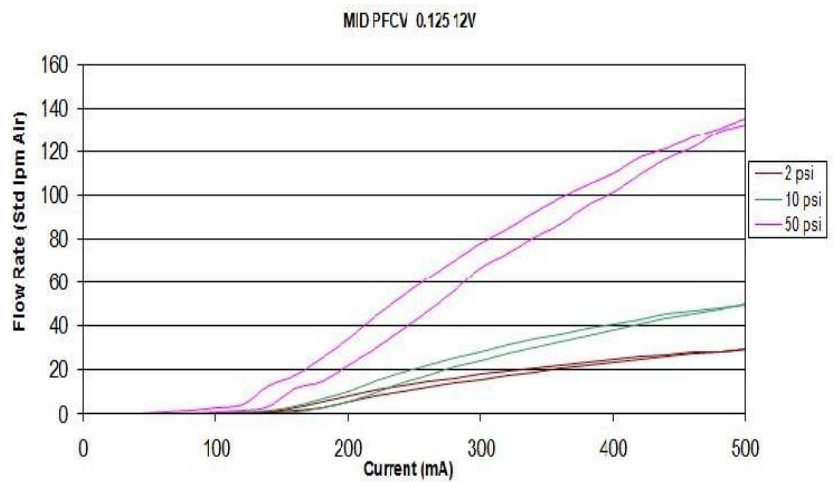
## iQ Mid

The *iQ Mid* is a mid range proportional valve in iQ Valves valve family. This new version is the result of 3 different patented designs by iQ Valves. Simplified design of the valve makes it cost effective and easy for maintenance, at the same time it serves a wide spectrum of application. These valves are designed to provide better control at medium flow rates. These valves are applicable where medium isolation is not critical as they do not offer medium isolation. They are best suitable for vacuum applications. Signal Amplifiers are also available to control these valves using 0-5V, 0-10V or 4-20 mA control signal.

### General Performance Specification

|                             |                       |
|-----------------------------|-----------------------|
| <b>Function:</b>            | 2 Way Normally Closed |
| <b>Orifice Size Range:</b>  | .0125"                |
| <b>Hysteresis:</b>          | < 10%                 |
| <b>Time Response:</b>       | < 20 msec             |
| <b>Pressure Range:</b>      | 0 - 50 PSI            |
| <b>Temperature Range:</b>   | -40 to 250° F         |
| <b>Seal Material:</b>       | Nitrile               |
| <b>Wetted Material:</b>     | Brass & 300 Series SS |
| <b>Fluid:</b>               | Gases & Liquids       |
| <b>Voltage Range:</b>       | 12 Volt               |
| <b>Lead Wires:</b>          | 22 AWG 12" long       |
| <b>Weight – Brass Base:</b> | 18.4 Oz.              |

### Typical Flow Characteristics



| PART NUMBER | ORIFICE SIZE | VOLT | POWER WATTS | INLET NPT | OUTLET NPT | FLOW@ 100 PSI LPM | PRICE(EA)              |
|-------------|--------------|------|-------------|-----------|------------|-------------------|------------------------|
| 209263      | 0.125        | 12   | 6           | 1/8       | 1/8        | 130               | <a href="#">278.75</a> |

\*Please refer to dimensional drawing for mounting specifications