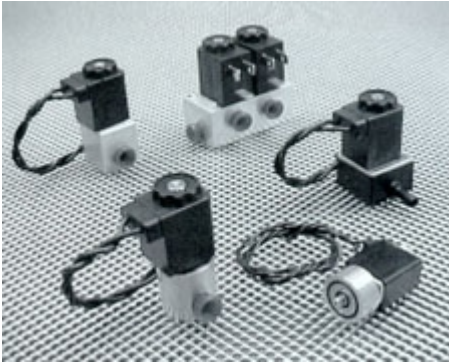


## 2-Way and 3-Way Solenoid Valves



IQ Valves 2-Way and 3-Way, direct-acting solenoid valves are well suited for applications where high reliability and speed of response are critical. Typical applications include medical, biomedical, analytical instrumentation, semiconductor, HVAC and other similar industrial OEM environments. We also offer single and multi-station manifolds to meet specific customer needs.

In the armature assembly, the core and plunger are made of special corrosion resistant materials with the plunger gliding in a brass or stainless steel tube. All seals are made of Fluorocarbon, (FKM) a highly chemical and wear resistant material with a wide temperature range. This combination of materials ensures a very long life of 20 million cycles or more.

## 2-Way & 3-Way Solenoid Valve Specifications

### Operating Characteristics

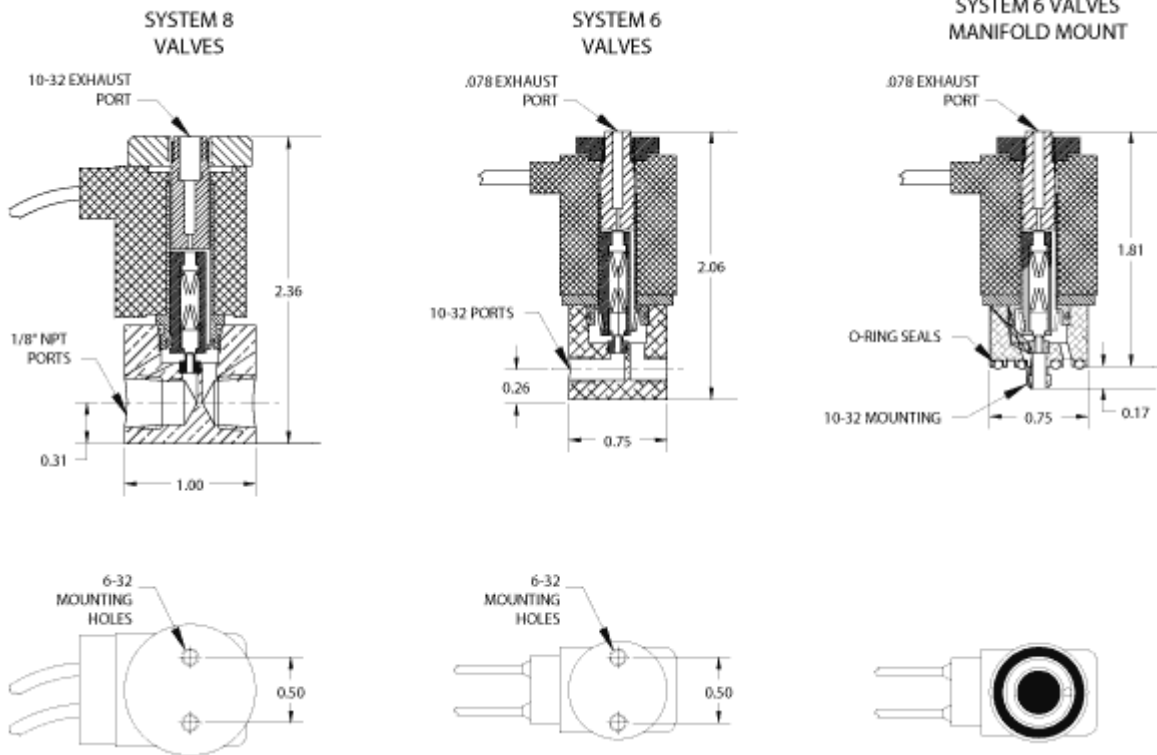
Body Internal Parts:	Brass*
Seals:	Flouorocarbon (FKM)
Media:	Air, Inert Gas, Call Factory for other media
Media Temperature:	-40 to 185 F
Ambient Temp. Rating:	-4 to 122 F
Vacuum Capacity:	Consult Factory
Leakage:	2cc/minute max.
Service Life:	20 million Cycles
Cycles/sec:	50
Filtration:	40 micron
Testing:	100% Factory Tested

### Electrical Characteristics

Coil Construction:	Thermoplastic
Lead Wire Size:	System 6 - 24 AWG System 8 - 20 AWG
Voltage Tolerance:	10%
Power Consumption:	Refer to chart
Nominal Power:	Refer to chart
Electrical Connections:	Lead wire or DIN
Pull-in Time:	AC: System 6: 10 msec System 8: 12 msec DC: System 6: 15 msec System 8: 20 msec
Drop out Time:	AC: System 6: 7 msec System 8: 10 msec DC: System 6: 7 msec System 8: 10 msec

\*Available in Stainless Steel, contact Factory for pricing.

## 2-Way & 3-Way Solenoid Valve View



### PART NUMBER MATRIX

**W2=N0-CL6-PS-S032-V12-W0.8-MB**

**WAY:**

W2 - 2-WAY  
 W3 - 3-WAY

**NO/NC:**

NO - Normally Opened  
 NC - Normally Closed

**COIL TYPE & SERIES:**

L6 - System 6 coil with lead wires  
 D6 - System 6 coil with din connectors  
 L8 - System 8 coil with lead wires  
 D8 - System 8 coil with din connectors

**PORT SIZE:**

PS - 10-32  
 PM - Manifold  
 PN - 1/8" NPT

**ORIFICE SIZE:**

S032 - 0.032"  
 S048 - 0.048"  
 S062 - 0.062"  
 S078 - 0.078"  
 S094 - 0.094"  
 S109 - 0.109"

**BODY MATERIAL:**  
 MB - BRASS

**WATTAGE:**

W0.8 - 0.8 watts  
 W1.3 - 1.3 watts  
 W2.0 - 2.0 watts  
 W2.5 - 2.5 watts  
 W2.9 - 2.9 watts  
 W4.8 - 4.8 watts  
 W6.0 - 6.0 watts

**VOLTAGE:**

V12 - 12 VDC  
 V24 - 24 VDC  
 V110 - 120 VAC

